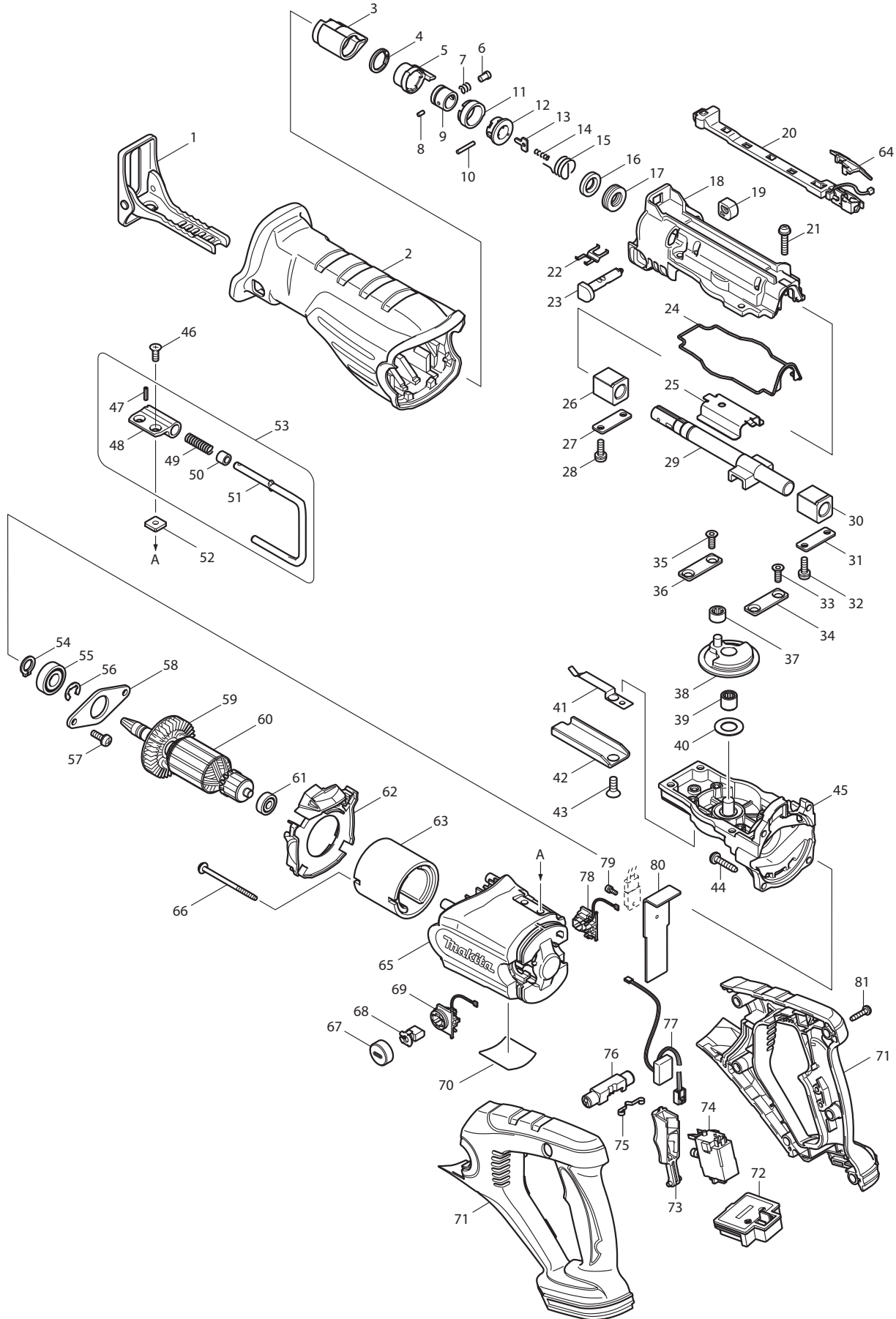




09 - 2011  
BJR181 / BJR181F / BJR181Z / BJR181X  
18V RECIPRO SAW

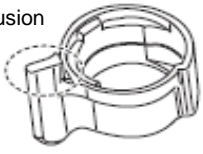





Item No.	Type	Sub	Part No.	Description	Qty	Unit
1			163453-5	SHOE	1	PC.
2			421945-3	INSULATION COVER	1	PC.
3	2		424147-0	* PROTECTOR	1	PC.
4	2		257952-8	* RETAINING RING (EXT) 18	1	PC.
5	2		310285-3	* DRIVING SLEEVE	1	PC.
6			256492-3	SHOULDER PIN 5	1	PC.
7			233345-3	COMPRESSION SPRING 6	1	PC.
8			268094-3	PIN 3	1	PC.
	2		331720-8	* GUIDE SLEEVE	1	PC.
10			256158-5	PIN 3	1	PC.
11			417791-0	DRIVING SLEEVE GUIDE	1	PC.
12			418311-3	SLEEVE	1	PC.
13			345214-7	PUSH PLATE	1	PC.
14			233025-1	COMPRESSION SPRING 2	1	PC.
15			231687-9	TORSION SPRING 17	1	PC.
16			213151-2	OIL SEAL 14	1	PC.
17			213174-0	X RING 14	1	PC.
18			154813-2	GEAR HOUSING COVER COMPLETE	1	PC.
		INC.		Item No. 16,17		
19			418806-6	CAP	1	PC.
20			631689-9	LED CIRCUIT	1	PC.
21			911243-8	PAN HEAD SCREW M5X25	4	PC.
22			232221-8	LEAF SPRING A	1	PC.
23			162236-0	SHIFT BUTTON	1	PC.
24			421946-1	SEAL RING	1	PC.
25			345480-6	SLIDE PLATE	1	PC.
26			214170-1	PLANE BEARING 14A	1	PC.
27			341462-6	PLATE	1	PC.
28			911225-0	PAN HEAD SCREW M5X16	2	PC.
29	1		154788-5	SLIDER COMPLETE	1	PC.
	2		168405-1	SLIDER COMPLETE	1	PC.
30			214170-1	PLANE BEARING 14A	1	PC.
31			341462-6	PLATE	1	PC.
32			911225-0	PAN HEAD SCREW M5X16	2	PC.
33			265148-7	TORX SOCKET HEAD SCREW M5X14	2	PC.
34			344795-8	PLATE C	1	PC.
35			265148-7	TORX SOCKET HEAD SCREW M5X14	2	PC.
36			344795-8	PLATE C	1	PC.
37	1		212001-8	NEEDLE BEARING 708 (Material of Cage Plastic)	1	PC.
	2		212959-1	NEEDLE BEARING 708 (Material of Cage Metal)	1	PC.
38	2		125423-2	* GEAR ASS'Y	1	PC.
		INC.		* Item No. 39 Type 2 (212080-6)		
	2		212080-6	* NEEDLE BEARING 1012	1	PC.
40			253797-2	FLAT WASHER 14	1	PC.
41			232222-6	LEAF SPRING B	1	PC.
42			345479-1	SHOE GUIDE	1	PC.
43			265165-7	TORX SOCKET C.S.HEADSCREW M6X16	1	PC.
44			266041-8	TAPPING SCREW 5X25	4	PC.
45			154812-4	GEAR HOUSING COMPLETE	1	PC.
46			912207-5	COUNTERSUNK HEAD SCREW M5X10	2	PC.
47			951057-3	SPRING PIN 3-12	1	PC.
48			313127-0	JOINT	1	PC.
49			233455-6	COMPRESSION SPRING 7	1	PC.
50			262561-0	SLEEVE 6	1	PC.
51			281218-4	HOOK	1	PC.
52			264002-2	SQUARE NUT M5	2	PC.
53			125321-0	HOOK ASS'Y	1	PC.
		INC.		Item No. 47-51		
54			961052-5	RETAINING RING S-12	1	PC.
55			210102-6	BALL BEARING 6001DDW	1	PC.
56			961016-9	STOP RING E-10	1	PC.
57			911225-0	PAN HEAD SCREW M5X16	2	PC.
58			285726-7	BEARING RETAINER 63	1	PC.
59			241869-5	FAN 55	1	PC.
60			519176-7	ARMATURE ASS'Y 18V	1	PC.
		INC.		Item No. 59,61		

Item No.	Type	Sub	Part No.	Description	Qty	Unit
61			210062-2	BALL BEARING 607ZZ	1	PC.
62			419333-6	BAFFLE PLATE	1	PC.
63			638107-8	YOKE UNIT	1	PC.
64			419327-1	COVER	1	PC.
65			419330-2	MOTOR HOUSING	1	PC.
66			266292-3	TAPPING SCREW 4X65	2	PC.
67			643941-3	BRUSH HOLDER CAP	2	PC.
		3	195022-4	CARBON BRUSH CB-441 2PC/SET (W/ ORIGIN)	1	SET
69			643949-7	BRUSH HOLDER R	1	PC.
70			862357-5	NAME PLATE F/BJR181	1	PC.
71	1		188046-7	* HANDLE SET	1	SET
	2		187484-0	* HANDLE SET	1	SET
	3		187485-8	* HANDLE SET	1	SET
72	1		643812-4	* TERMINAL	1	PC.
	2		643838-6	* TERMINAL	1	PC.
	3		643859-8	* TERMINAL	1	PC.
	4		644808-8	* TERMINAL	1	PC.
73			419336-0	SWITCH LEVER	1	PC.
74	1		650574-7	* SWITCH C3LA-2A-LLM	1	PC.
	2		650647-6	* SWITCH C3LA-2A-LLMS	1	PC.
75			232152-1	LEAF SPRING	1	PC.
76			419334-4	LOCK OFF BUTTON	1	PC.
77			631690-4	POWER SUPPLY CIRCUIT	1	PC.
78			643815-8	BRUSH HOLDER	1	PC.
79			911006-2	PAN HEAD SCREW M3X8	1	PC.
80			689116-0	HEAT SINK	1	PC.
81			266045-0	TAPPING SCREW 4X20	6	PC.
100			195929-4	BLADE CLAMP KIT	1	PC.
		INC.		Item No. 3-15		
D01			652038-7	PAN HEAD SCREW M3X8	2	PC.
D02			654077-3	INSULATED TERMINAL FK2-M3D-5.5	2	PC.
D03			654208-4	RECEPTACLE	2	PC.
E01			810201-0	CAUTION LABEL	1	PC.
<b>ACCESSORIES</b>			<b>- See catalogue or visit <a href="http://www.makita.ca">www.makita.ca</a> for more optional accessories -</b>			
A01			194205-3	18V LI-ION BATTERY BL1830	1	PC.
A02	1		DC18RA	CHARGER DC18RA	1	PC.
	2		DC18RC	CHARGER DC18RC	1	PC.
A03	1		193572-3	RECIPRO SAW BLADE 3/PCSET	1	SET
	2		194068-7	RECIPRO SAW BLADE 2PC/SET	1	SET
A04	1		824760-8	PLASTIC CARRYING CASE	1	PC.
		INC.	163455-1	LATCH	2	PC.
	2		141354-7	PLASTIC CARRYING CASE COMPLETE	1	PC.
		INC.	163455-1	LATCH	2	PC.
			821007X	21" TOOL BAG (BJR181X)	1	PC.
A05			450128-8	BATTERY COVER	1	PC.





**SERVICE CHANGES**

**1. Changes on Driving Sleeve & Protector**

Item No.	Description	Type 1	Type 2
3	Driving Sleeve	310160-3	310285-3
5	Protector	421894-4	424147-0
	Driving Sleeve	Protrusion 	Eliminated Protrusion  This portion is smaller than Type1
	Protector		 Making for distinction This portion is smaller than Type1


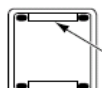
Above parts are completely interchangeable as a set.

**2. Changes on Guide Sleeve & Retaining Ring**

Item No.	Description	Type 1	Type 2
4	RETAINING RING	961078-7	257952-8
9	GUIDE SLEEVE	331639-1 (Black)	331720-8 (Silver)
	RETAINING RING		
	GUIDE SLEEVE	 Black	 Silver

Above parts are completely interchangeable as a set.

**3. Changes on Gear Assy & Needle Bearing 1012**

Item No.	Description	Type 1	Type 2
38	Gear Assy	125320-2	125423-2
39	Needle Bearing 1012	212074-1	212080-6
	Needle Bearing 1012		 Put a little amount (0.3g) of Makita Grease FA No.2

Above parts are completely interchangeable as a set.

**4. Changes on Switch, Terminal and Housing Set (Battery Protection Circuit)**

(T/l# 84907, 91780)

(T/l# 91780)

(T/l# A0105)

Item No.	Description	Type 1	Type 2	Type 3	Type 4
74	Switch		650574-7		650647-6
72	Terminal	643812-4	643838-6	643859-8	644808-8
71	Handle Set	188046-7	187484-0		187485-8

Above parts are completely interchangeable as a set.

**Service Note:**

- Use TYPE 3 parts for repair of the model manufactured on or after August 2011 with using Yellow lead wire between Switch and Terminal.
- Use TYPE 2 Switch and Terminal, and TYPE 1 - 2 Handle set for repair of the model manufactured before August 2011 without using Yellow lead wire between Switch and Terminal.

**\*\* See Technical Information #91780 for Wiring Diagram Change**